



McIntosh Laboratory, Inc. 2 Chambers Street Binghamton, New York 13903-2699 Phone: 607-723-3512 www.mcintoshlabs.com

MC1502

Power Amplifier
Owner's Manual





Important Safety Information is supplied in a separate document “Important Additional Operation Information Guide”

Thank You

Your decision to own this McIntosh MC1502 Tube Power Amplifier ranks you at the very top among discriminating music listeners. You now have “The Best.” The McIntosh dedication to “Quality,” is assurance that you will receive many years of musical enjoyment from this unit. Please take a short time to read the information in this manual. We want you to be as familiar as possible with all the features and functions of your new McIntosh.

Please Take A Moment

The serial number, purchase date and McIntosh Dealer name are important to you for possible insurance claim or future service. The spaces below have been provided for you to record that information:

Serial Number: _____

Purchase Date: _____

Dealer Name: _____

Technical Assistance

If at any time you have questions about your McIntosh product, contact your McIntosh Dealer who is familiar with your McIntosh equipment and any other brands that may be part of your system. If you or your Dealer wish additional help concerning a suspected problem, you can receive technical assistance for all McIntosh products at:

McIntosh Laboratory, Inc.
2 Chambers Street
Binghamton, New York 13903
Phone: 607-723-3512
Fax: 607-724-0549

Customer Service

If it is determined that your McIntosh product is in need of repair, you can return it to your Dealer. You can also return it to the McIntosh Laboratory Service Department. For assistance on factory repair return procedure, contact the McIntosh Service Department at:

McIntosh Laboratory, Inc.
2 Chambers Street
Binghamton, New York 13903
Phone: 607-723-3515
Fax: 607-723-1917

Table of Contents

Safety Instructions.....	2
(Separate Sheet)	Important Additional
	Operation Information Guide
Thank You and Please Take a Moment.....	2
Technical Assistance and Customer Service	2
Table of Contents	2
Unpacking the MC1502 and Ventilation.....	4-5
General Information	6
Connector Information	6
Introduction.....	7
Performance Features	7
Dimensions	8
Rear Panel Connections, Fuse Holder and Switches ..	9
How to Connect for Operation.....	10-11
Connection Diagram (Separate Sheet)	Mc1A
Front Panel Controls and Indicators.....	12
How to Operate.....	13
Specifications.....	14
Packing Instruction.....	15

IMPORTANT!

**INSTRUCTIONS FOR REMOVAL
OF FOAM INSERT OVER THE
VACUUM TUBES PRIOR TO
CONNECTING THE A.C. POWER
SUPPLY CORD, START ON THE
NEXT PAGE.**





Unpacking the MC1502

Caution: To prevent damage to the MC1502 Vacuum Tubes during shipping, there is a special foam insert surrounding the Vacuum Tubes of the Power Amplifier.

The Foam Insert must be removed from the MC1502 before connecting the AC Power Supply Cord to the Power Amplifier.

Failure to do so has the potential of a Fire Hazard, resulting in damage to the MC1502 and the surrounding environment.

Follow these instructions for removal of the packing foam before connecting the AC Power Supply Cord to the MC1502.

In order to remove the foam insert surrounding the Vacuum Tubes on the MC1502, it is necessary to temporarily remove the operational Tube Shield Metal Cover. After the foam insert is removed, the Tube Shield Metal Cover is to be re-installed for proper and safe operation of the MC1502 Power Amplifier. The Tube

Shield Metal Cover provides protection from the hazardous voltages inside the MC1502. The MC1502 has no user serviceable parts, including the Vacuum Tubes. If repairs are needed they must be performed by an authorized McIntosh Service Agency.

1. Orient the MC1502 so the Front Side of the Power Amplifier is facing you and remove the Warning Sheet. Refer to figure 1A.
2. Referring to figure 2B (a partial side view of the MC1502) to temporarily remove the two screws and the Hot Surface Tag located on the top of the Tube Shield Metal Cover by using a Phillips Head #2 Screw Driver.
3. Carefully lift up and remove the Tube Shield Metal Cover from the MC1502. Refer to figure 3C.
4. Place the Tube Cover and the previously removed chassis screws in a safe location, as the Tube Cover will be reinstalled.
5. Carefully lift up and remove the Foam Insert from the MC1502 exposing the Vacuum Tubes. Refer to figures 4D and 5E.
6. Carefully place the previously removed Tube Cover on top of the MC1502. Refer to figures 6F and 7G.
7. Place the Hot Surface Tag near the top right of the Metal Tube Cover. Secure it to the Cover of the MC1502 Chassis using the previously removed Tube Cover Screws and Retaining Washer. Refer to figure 8A and the results of figure 9.

Note: Save the Foam Insert and Warning Sheet with the MC1502 Shipping Carton for future use.

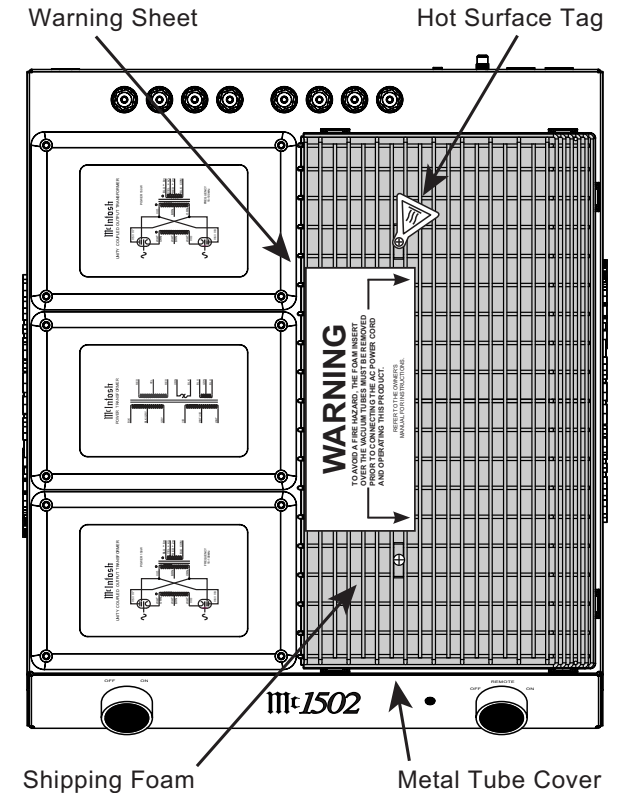


Figure 1A

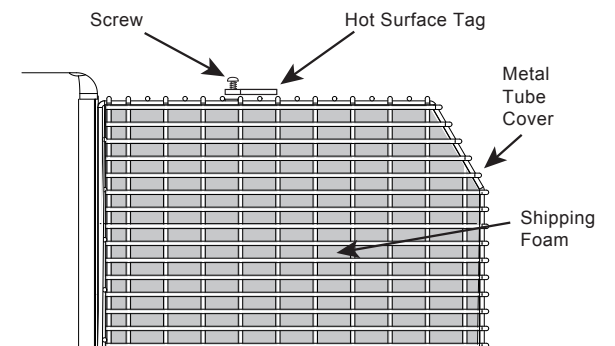


Figure 2B

Figure 3C

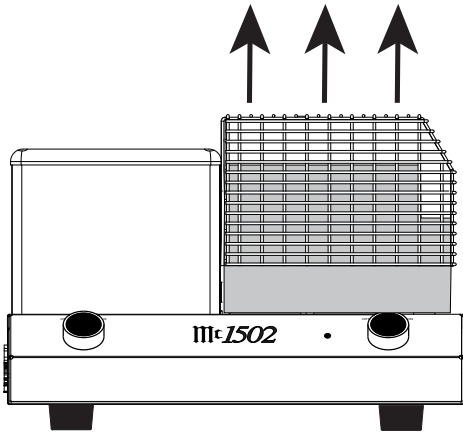


Figure 4D

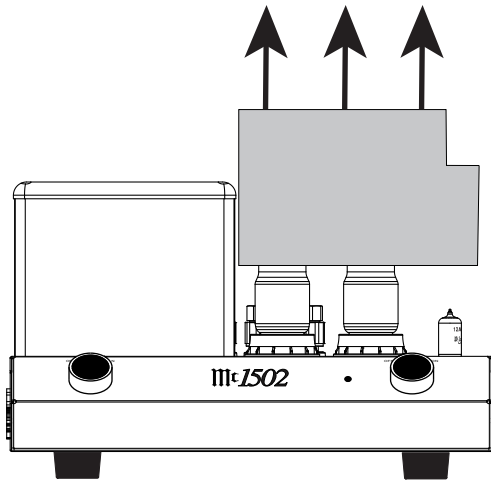


Figure 5E

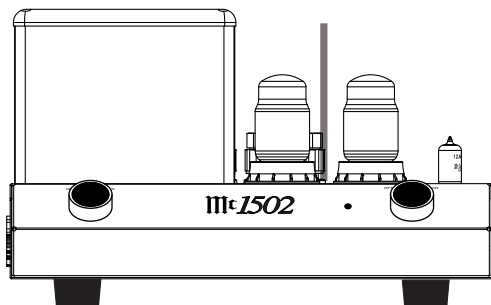


Figure 6F

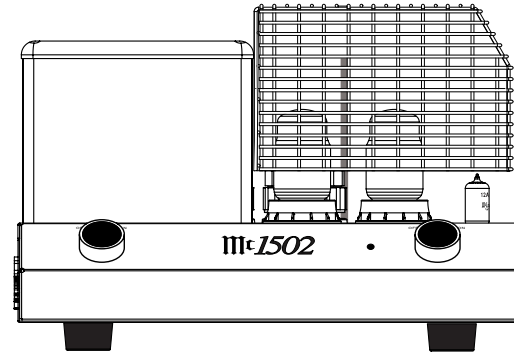


Figure 7G

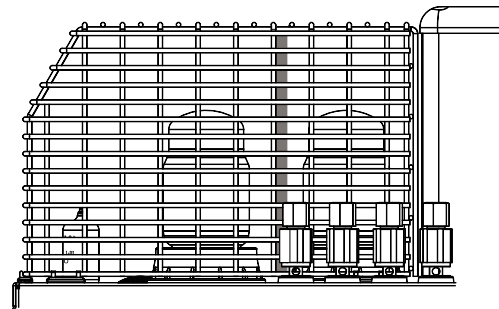


Figure 8A

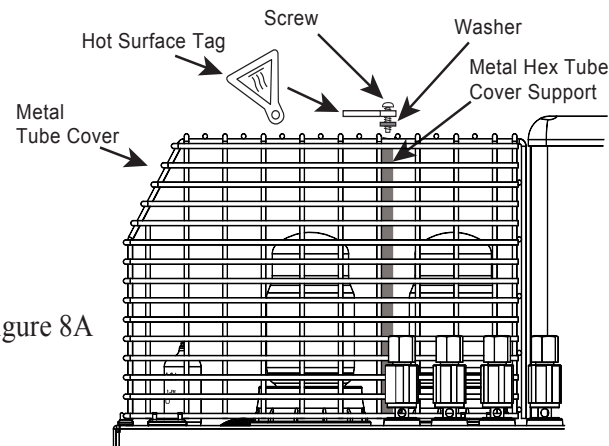
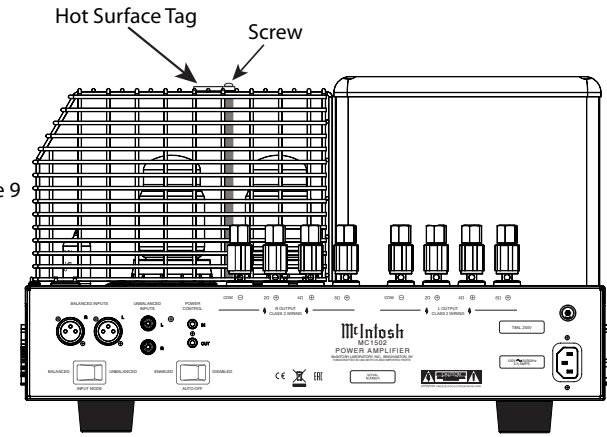


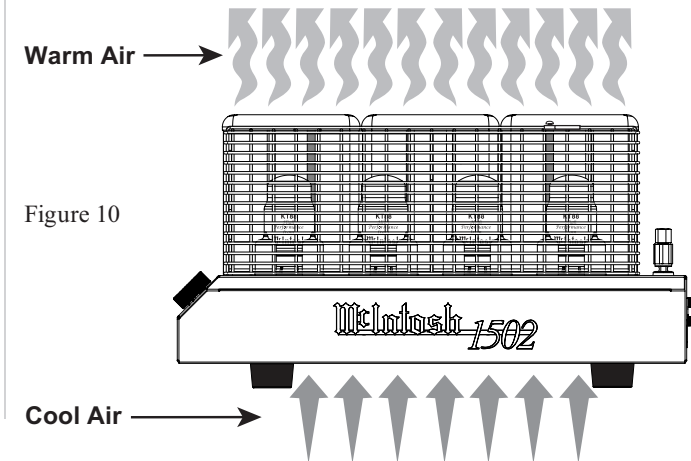
Figure 9



Ventilation

Adequate ventilation extends the trouble free life of the MC1502. Always allow air to flow through the ventilation holes on the bottom of the amplifier and a means for the warm air to escape at the top. Refer to figure 10.

Allow at least 19 inches (48.3cm) above the top; 6 inches (15.2cm) for the Front, Rear and Sides; allow 1/2 inch (1.3cm) below the Power Amplifier so the airflow is not obstructed.





General Information

1. For additional connection information, refer to the owner's manual(s) for any component(s) connected to the MC1502.
2. Apply AC Power to the MC1502 and other McIntosh Component(s) only after all the system components are connected together. Failure to do so may cause a malfunction of system operations as the Microprocessor's Circuitry inside the components is active when AC Power is applied.
3. **The MC1502 includes an Auto Off Power Save Feature and the default setting is enabled.** For additional information including how to disable it, refer to page 13.
4. When Power Amplifier Protection Circuitry (Sentry Monitor) of the MC1502 has activated the Small Vacuum LED Illumination will start flashing. The AC Power to the MC1502 needs to be switched OFF at that time.
5. When the Power Transformer has overheated due to improper ventilation and/or high ambient operating temperature, AC Power is removed from the MC1502 and the Standby LED flashes.
6. For the best performance and safety, it is important to always match the impedance of the Loudspeaker to the Power Amplifier connections. Refer to pages 10 and 11.

Note: The impedance of a Loudspeaker actually varies as the Loudspeaker reproduces different frequencies. As a result, the nominal impedance rating of the Loudspeaker (usually measured at a midrange frequency) might not always agree with the impedance of the Loudspeaker at low frequencies where the greatest amount of power is required. Contact the Loudspeaker Manufacturer for additional information about the actual impedance of the Loudspeaker before connecting it to the McIntosh MC1502.

7. When discarding the unit, comply with local rules or regulations. Batteries should never be thrown away or incinerated but disposed of in accordance with the local regulations concerning battery disposal.
8. For additional information on the MC1502 and other McIntosh Products please visit the McIntosh Website at www.mcintoshlabs.com.

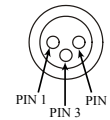


Connector and Cable Information

XLR Connectors

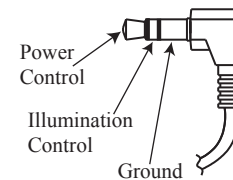
Below is the Pin configuration for the XLR Balanced Input Connectors on the MC1502. Refer to the diagram for connection:

- PIN 1: Shield/Ground
- PIN 2: + Output
- PIN 3: - Output



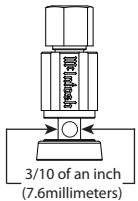
Power Control Connector

The Power Control Output Jack sends Power On/Off Signals (+12 volt/0 volt) when another McIntosh Component is connected. The Power Control Output will in turn provide a +12 volt Output Signal with a current up to 25 mA. An additional connection is for controlling the illumination of the MC1502 Small Signal Tubes when connected to a compatible McIntosh Preamplifier or A/V Control Center Power Control Output. A 3.5mm stereo mini phone plug is used for connection to the Power Control Output.



Output Terminal Connector

When cables with spade lugs are used for Loudspeaker Connection, the spade lugs need an opening of at least 3/10 inch (7.6mm)



Introduction

Now you can take advantage of traditional McIntosh standards of excellence in the MC1502 Tube Power Amplifier. The 150 watt power output per channel will drive any high quality Loudspeaker System. The MC1502 reproduction is sonically transparent and absolutely accurate. The McIntosh Sound is “The Sound of the Music Itself.”

Performance Features

• Power Output

The MC1502 is a Tube Power Amplifier with a capability of 150 watts per channel into 2, 4 or 8 ohm Loudspeakers with less than 0.5% distortion.

• Unity Coupled Circuitry

The MC1502 Power Amplifier uses the famous McIntosh Patented Unity Coupled Circuit which provides low distortion, extended frequency response and cool operating output tubes.

• Multifilar Wound Output Transformer

The MC1502 Output Transformer Windings are part of the Unity Coupled Circuitry. There are two bifilar wound primaries, one for the cathodes and one for the plates. The secondary winding is wound together with the primary windings. This provides very close primary to secondary coupling. The result is flat frequency response and wide power bandwidth.

• Balanced and Unbalanced Input

Balanced connections guard against induced noise and allow long cable runs without compromising sound quality.

• Sentry Monitor Tube Protection

McIntosh Sentry Monitor Tube Protection Circuits ensure the MC1502 will have a long and trouble free operating life.

• Vacuum Tube Sockets

Small Signal Vacuum Tubes Sockets have Ceramic Base construction with gold plated contacts, providing protection from atmospheric contamination. Output Tube Sockets include Air-Pipe cooling at their bases for long term operation.

• Amplifier Gold Plated Connectors

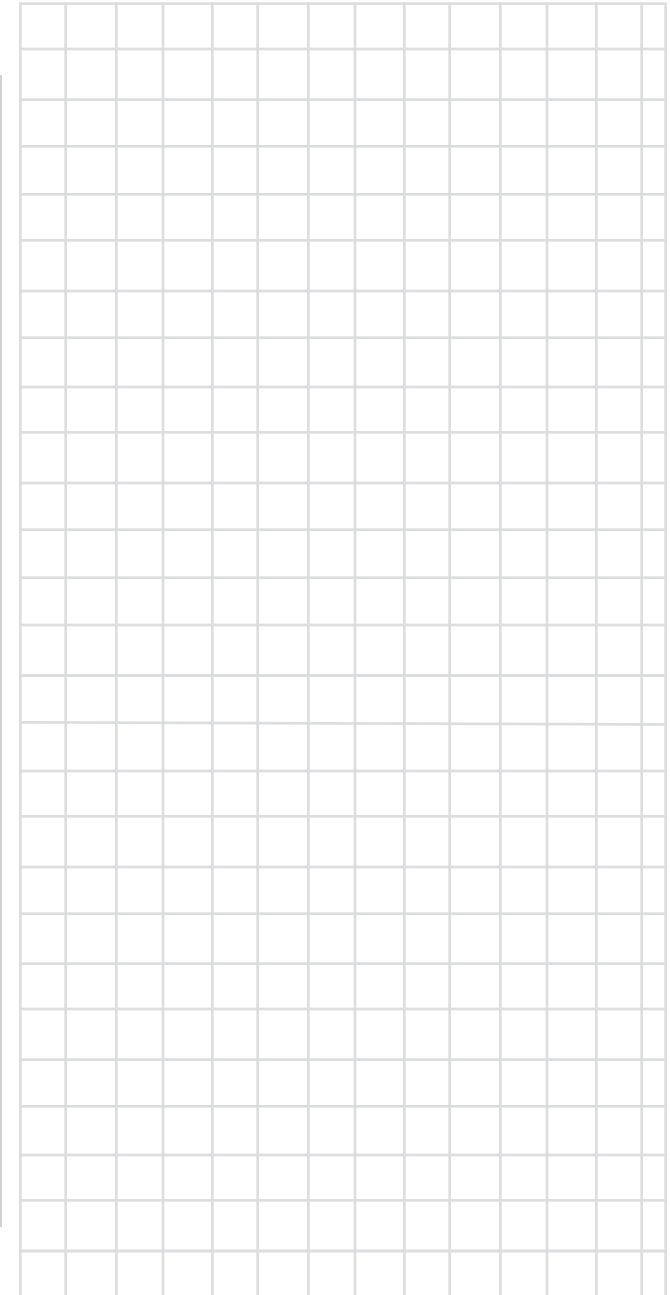
Gold Plated Input Jacks and Output Binding Posts provide trouble free connections.

• Special Power Supply

A very large core Power Transformer and large capacitors ensure stable noise free operation even though the power line varies.

• LED Tube Illumination

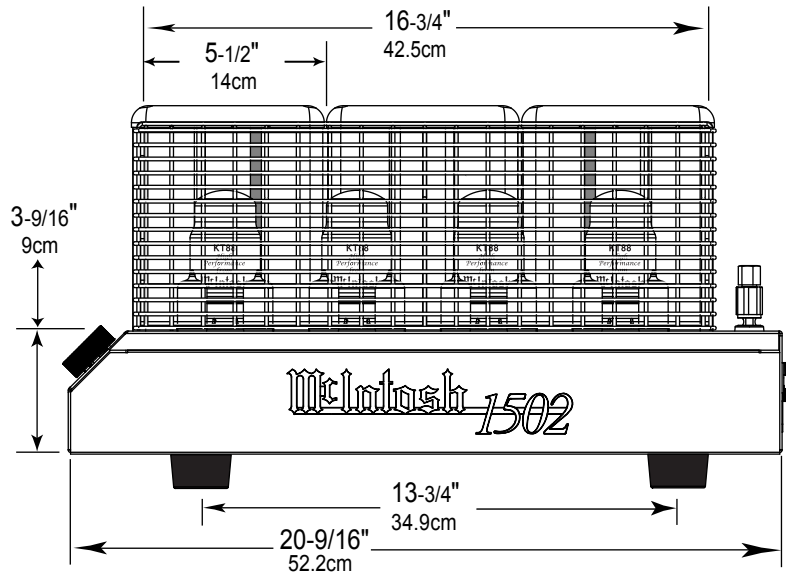
Tri-Color LEDs illuminate the small signal processing tubes of the MC1502. They indicate tube warm up, normal and sentry monitor modes of operation.



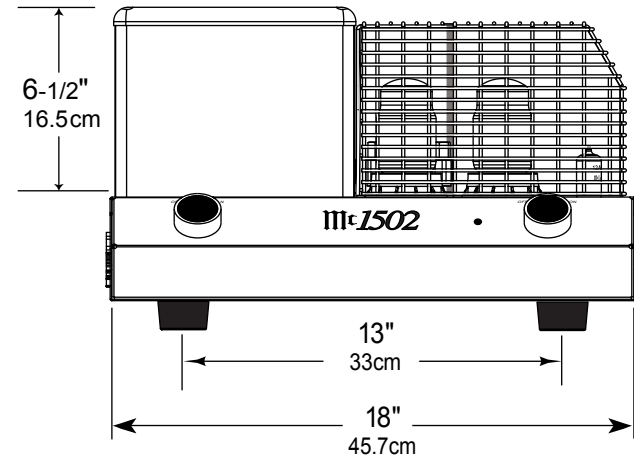
Dimensions

The following dimensions can assist in determining the best location for your MC1502.

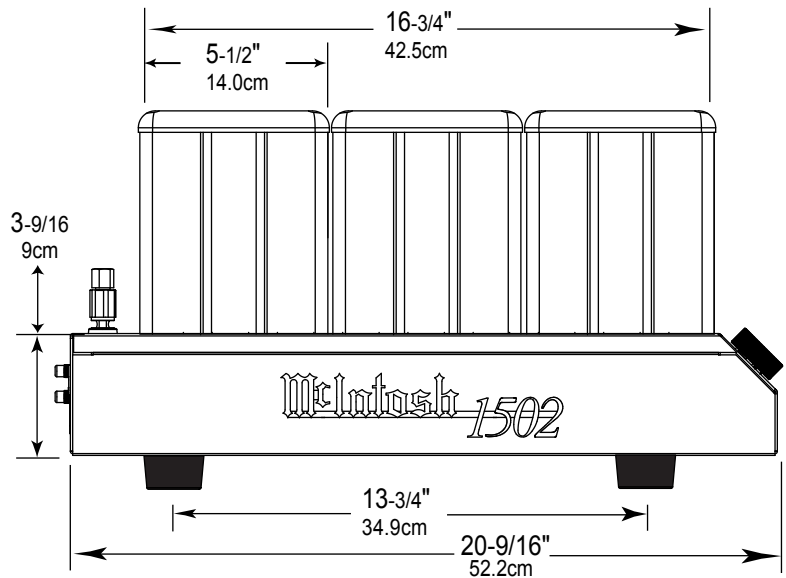
Right View of the MC1502



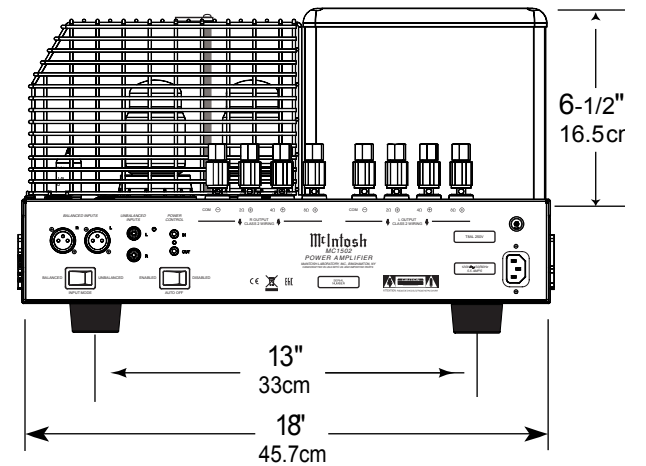
Front View of the MC1502



Left View of the MC1502



Rear View of the MC1502



POWER CONTROL IN
receives a turn ON or turn OFF signal from a McIntosh component.
POWER CONTROL OUT
sends a turn ON or turn OFF signal to the next McIntosh Component

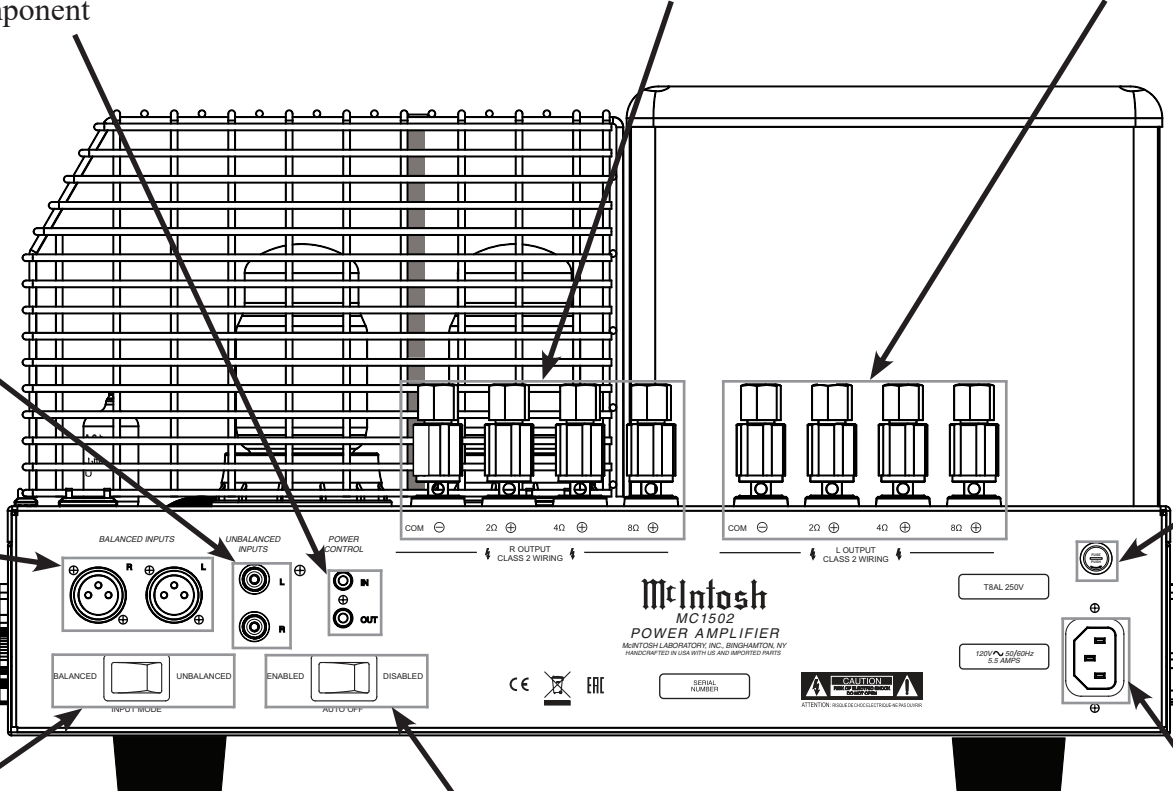
RIGHT OUTPUTS for Class 2
Wiring Connections for a
2, 4 or 8 ohm Loudspeakers

LEFT OUTPUTS for Class 2
Wiring Connections for a
2, 4 or 8 ohm Loudspeakers

UNBALANCED INPUT CONNECTORS
for the Right and Left Channels with Audio Cables Connected from a Preamplifier or A/V Control Center audio output

BALANCED INPUT CONNECTORS
for the Right and Left Channels with Audio Cables Connected from a Pre-amplifier or A/V Control Center audio output

FUSE HOLDER, refer to the nomenclature next to the fuse holder to determine the correct fuse size and rating



INPUT MODE switch
selects between BALANCED
and UNBALANCED Input
Connections

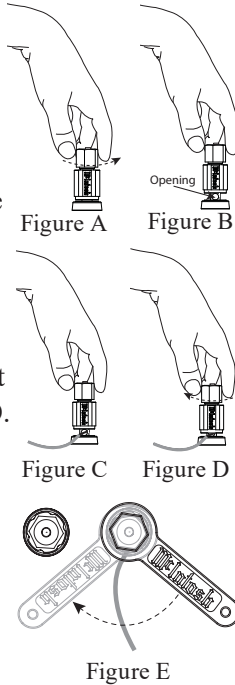
AUTO OFF ENABLE or
DISABLE the Power Saving
Circuitry

CONNECT the MC1502 POWER
CORD to a live AC outlet. Refer
to the nomenclature below this AC
Socket to determine the correct
voltage

Output Terminals

When connecting the Loudspeaker Hookup Cables to the MC1502 Power Amplifier Output Terminals please follow the steps below:

1. Rotate the top of the Output Terminal Post counterclockwise until an opening appears. Refer to figures A and B.
2. Insert the Loudspeaker hookup cable into the Output Terminal Post opening or the cable spade lug around the center post of the Output Terminal. Refer to figure C.
3. Rotate the top of the Output Terminal Post clockwise until it is finger tight. Refer to figure D.
4. Place the supplied McIntosh Wrench over the top of the Output Terminal and rotate it one quarter of a turn (90°) to secure the Loudspeaker Cable Connection. **Do not over tighten.** Refer to figure E.



How to Connect for Stereo Operation

Caution: Do not connect the AC Power Cord to the MC1502 Rear Panel until after the Loudspeaker Connections are made. Failure to observe this could result in Electric Shock.

The connection instructions below, together with the MC1502 Connection Diagram located on the separate folded sheet “Mc1A”, is an example of a typical audio system. Your system may vary from this, however the actual components would be connected in a similar manner. For additional information refer to “Connector and Cable Information” on page 6.

1. For Remote Power Control, connect a power control cable from the Audio Preamplifier Power Control Main Output Jack to the Power Amplifier POWER CONTROL IN Jack.
2. Connect XLR cables from the Balanced Main Output connector of the Audio Preamplifier to the Power Amplifier BALANCED INPUTS. Place the INPUT Switch in the BALANCED Position.

Note: An optional hookup is to use unbalanced cable and place the INPUT MODE Switch in the UNBALANCED Position.

This McIntosh MC1502 Power Amplifier is designed for Loudspeakers with an impedance of 2 ohms, 4 ohms or 8 ohms. Connect a single Loudspeaker only to the Output Terminals.

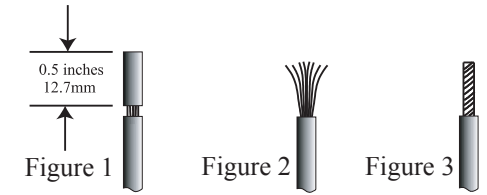
When connecting Loudspeakers to the MC1502 it is very important to use cables of adequate size, so there is little to no power loss in the cables. The size is specified in Gauge Numbers or AWG (American Wire Gauge). The smaller the Gauge number, the larger the wire size:

Loudspeaker Cable Distance vs Wire Gauge Guide			
Loudspeaker Impedance	25 feet (7.62 meters) or less	50 feet (15.24 meters) or less	100 feet (30.48 meters) or less
2 Ohms	12AWG	10AWG	8AWG
4 Ohms	14AWG	12AWG	10AWG
8 Ohms	16AWG	14AWG	12AWG

3. Prepare the Loudspeaker Hookup Cable for attachment to the MC1502 Power Amplifier:

Bare wire cable ends:

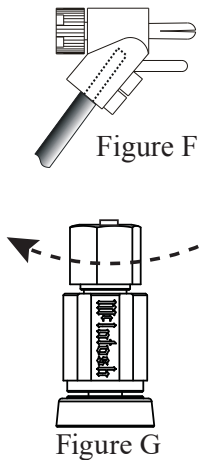
Carefully remove sufficient insulation from the cable ends, refer to figures 1, 2 & 3. If the cable is stranded, carefully twist the strands together as tightly as possible.



- Notes:*
1. If desired, the twisted ends can be tinned with solder to keep the strands together.
 2. The prepared bare wire cable ends may be inserted into spade lug connectors.
 3. Banana plugs are for use in the United States and Canada only.

Banana Plugs are for use in the United States and Canada only:

4. Attach the previously prepared bare wire cable ends into the banana plugs and secure the connections. Refer to figure F.
5. Rotate the top of the Output Terminal Post clockwise until it is finger tight. Refer to figure G. Then using the McIntosh Wrench, rotate the top of the Output Terminal one quarter of a turn (90°). **Do not over tighten.** Refer to figure E.
6. Referring to figure H, connect the Loudspeaker hookup cables with banana plugs into the hole at the top of the MC1502 Negative (-) and Positive (+) Output Terminals. The Positive Terminals



are identified as 4Ω (ohms), 8Ω (ohms) or 16Ω (ohms) connection to match the impedance of the Loudspeaker, being careful to observe the correct polarities.

If the Loudspeaker's impedance is in-between the available connections, use the nearest lower impedance connection. Refer to "General Information" Note 6 on page 6 for additional information.

WARNING: Loudspeaker Terminals are hazardous live and present a risk of electric shock. For additional instruction on making Loudspeaker Connections contact your McIntosh Dealer or McIntosh Technical Support.

7. Connect the MC1502 Power Cord to an active AC outlet.

Spade Lug or Wire Connections:

8. Connect the Loudspeaker hookup cables to the MC1502 Negative Output Terminal (-) and Positive Output (+) Terminal identified as 2Ω (ohms), 4Ω (ohms) or 8Ω (ohms) connection to match the impedance of the Loudspeaker, being careful to observe the correct polarities. Insert the spade lug connector or prepared section of the cable end into the terminal side access hole, and tighten the terminal cap until the cable is firmly clamped into the terminals so the lugs or wire cannot slip out. **Do not over tighten.** Refer to figures 4, 5 and figure E.

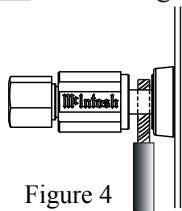


Figure 4

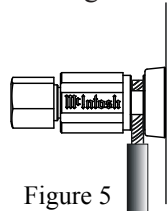


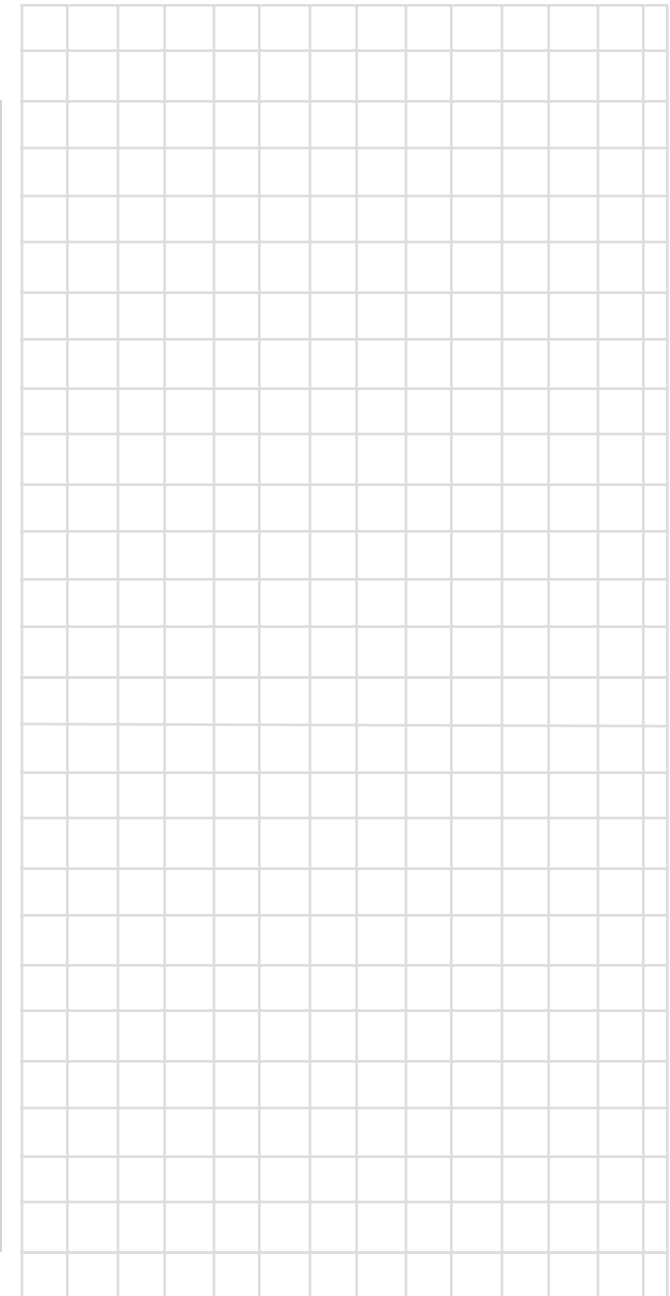
Figure 5

Note: Refer to "Output Terminal" step 4 on page 10 for important information.

If the Loudspeaker's impedance is in-between the available connections, use the nearest lower impedance connection. Refer to "General Information" Note 6 on page 6 for additional information.

WARNING: Loudspeaker terminals are hazardous live and present a risk of electric shock. For additional instruction on making Loudspeaker Connections contact your McIntosh Dealer or McIntosh Technical Support.

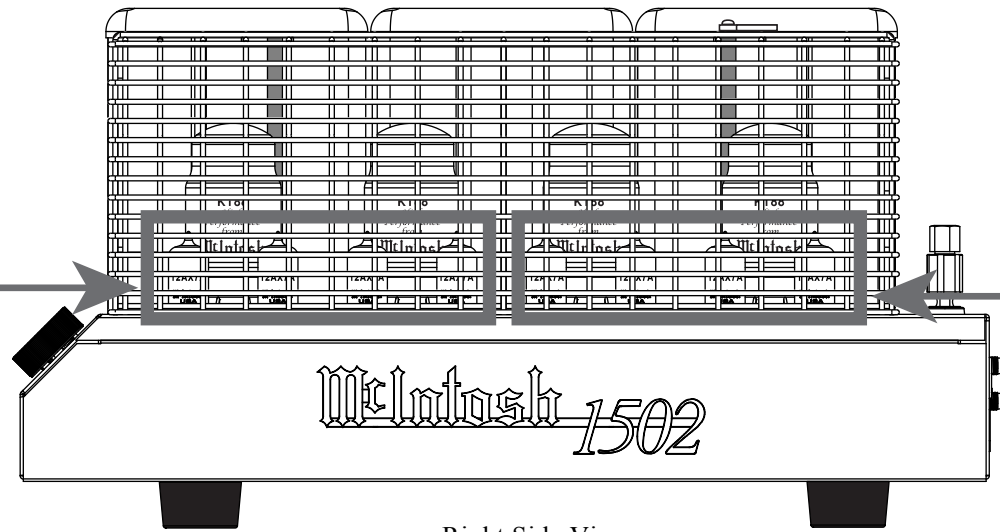
9. Connect the MC1502 Power Cord to an active AC outlet.



Left Channel Small Signal Vacuum Tubes		
LED Illumination Color	Operation Mode	Function
Amber	Warm-up	Audio Signal is muted
Green	Normal	Selected by Tube Light Control
Red (Flash Illumination)	Sentry	Protection Circuitry is Activated

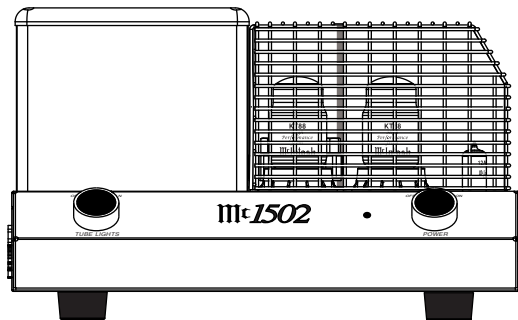


Right Channel Small Signal Vacuum Tubes		
LED Illumination Color	Operation Mode	Function
Amber	Warm-up	Audio Signal is muted
Green	Normal	Selected by Tube Light Control
Red (Flash Illumination)	Sentry	Protection Circuitry is Activated

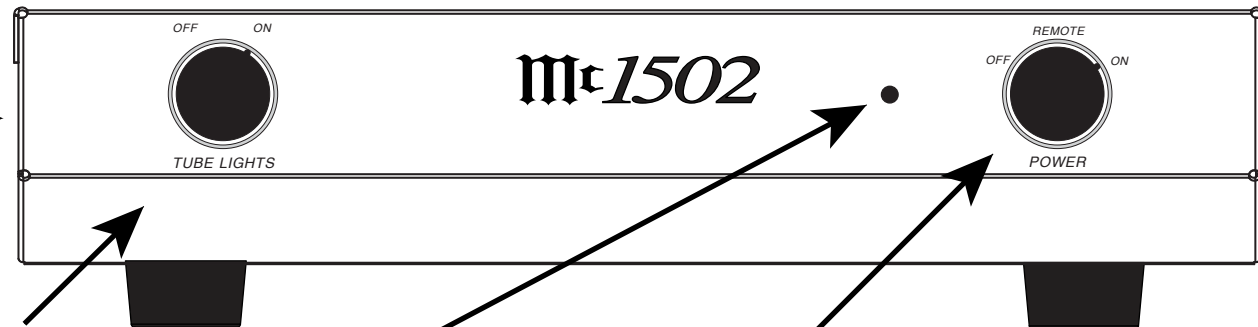


Right Side View

Front View



Front Panel View Enlarged



TUBE LIGHTS
Selects ON or OFF

Standby Power
On Indicator

POWER Switch Turns
AC Power ON, OFF
or REMOTE

How to Operate

Power Control

The POWER CONTROL is located on the Front Panel of the MC1502. Set the Control to the REMOTE Position. Refer to figure 10. The MC1502 Power Amplifier will turn ON or OFF as the Preamplifier it is connected to (via the Power Control Connection) turns On or Off. For manual operation, place the POWER CONTROL to the ON Position as desired. The LED indicator located on the Front Panel is illuminated when the MC1502 is connected to an active AC Outlet.

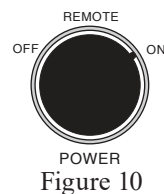


Figure 10

Note: When the MC1502 is first switched On, there is a Warm-Up period of time during which no sound will be heard. There is also sequential illumination (amber color) of the Small Signal Vacuum Tubes. After the Warm-Up period of time, sound will be heard and the illumination color of the Small Signal Vacuum Tubes will change to Green. The Illumination of Small Signal Vacuum Tubes can also be switched OFF, by placing the TUBE LIGHT Control in the OFF position.

Tube Lights Control

The eight Small Signal Vacuum Tubes are Illuminated by LEDs to indicate the various Operation Modes of the MC1502 Power Amplifier. Refer to the Left and Right Channel Charts located on page 12. When the MC1502 Power Amplifier is in the Normal Mode of Operation, the default LED Illuminating Color is Green. Rotating the TUBE LIGHTS CONTROL counterclockwise turn the tube lights off. Refer to figure 11.



Figure 11

Input Switch

The Input Mode Switch, which is located on the Rear Panel of the MC1502, allows selection of either the Balanced or Unbalanced Input. Refer to figure 12.

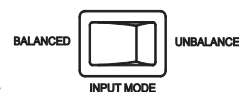


Figure 12

Auto Off Switch

The MC1502 incorporates Power Save Circuitry to automatically place the MC1502 into the power saving Standby Mode approximately 30 minutes after there has been an absence of an audio input signal.

When there is a Power Control Connection between the MC1502 and a Preamplifier with Power Save Circuitry, the AUTO OFF Switch is bypassed (located on the Rear Panel of the MC1502). Refer to figure 13.



Figure 13

In the event there is no Power Control Connection and the Power Save Circuitry is activating inappropriately relative to your specific use of the MC1502, place the AUTO OFF Switch in the DISABLE position.

Note: If the Power Save Circuitry has switched Power to the MC1502 OFF, place the POWER in the OFF Position and then in the ON position to reset the circuitry.

Sentry Monitor

The MC1502 Sentry Monitor Tube Protection Circuitry provides protection to the Power Amplifier in the event of an impedance mismatch between the MC1502 and the Loudspeaker(s). It will also activate if there is a short circuit at the MC1502 Output Terminals (or the Loudspeaker Terminals) or if a MC1502 Power Output Tube should fail. During

normal operation the Sentry Monitor Tube Protection Circuitry has no effect on the performance of the Power Amplifier.

In the event a problem occurs, the circuitry will activate to prevent potentially destructive high levels of current from flowing in the amplifier. The illumination color of the Small Signal Vacuum Tubes of the affected channel will change from Green to Red. To reset the Sentry Monitor Tube Protection Circuitry first note the position of the POWER Switch. If the POWER Switch is set to the REMOTE position, switch Off the Preamplifier for approximately one minute and then switch the Preamplifier On. When the POWER Switch is set to the ON position, place the POWER Switch to the OFF position for approximately one minute, then place the POWER Switch to the ON position.

- Notes:*
1. The impedance of a Loudspeaker actually varies as the Loudspeaker reproduces different frequencies. As a result, the nominal impedance rating of the Loudspeaker (usually measured at a midrange frequency) might not always agree with the impedance of the Loudspeaker at low frequencies where the greatest amount of power is required. Contact the Loudspeaker Manufacturer for additional information about the actual impedance of the Loudspeaker before connecting it to the McIntosh MC1502.
 2. When the given channel doesn't return to Normal Operating after the Power Switch has been switched back ON, then place the Power Switch in the OFF position and disconnect the AC Power Cord from the MC152. Then contact your McIntosh Dealer for repair of the Power Amplifier.



Specifications

Power Output

Minimum sine wave continuous average power output per channel, both channels operating is:

- 150 watts into 2 ohm loads
- 150 watts into 4 ohm loads
- 150 watts into 8 ohm loads

Output Load Impedance

2, 4 or 8 ohms

Rated Power Band

20Hz to 20,000Hz

Total Harmonic Distortion

0.5% maximum harmonic distortion at any power level from 250 milliwatts to rated power, 20Hz to 20,000Hz

Dynamic Headroom

1.2dB

Frequency Response

- +0, -0.5dB from 20Hz to 20,000Hz
- +0, -3.0dB from 10Hz to 70,000Hz

Input Sensitivity (for rated output)

- 1.7 Volts Unbalanced
- 3.4 Volts Balanced

Signal To Noise Ratio (A-Weighted)

112dB below rated output

Intermodulation Distortion

0.5% maximum, if the instantaneous peak power output does not exceed twice the rated power output for any combination of frequencies from 20Hz to 20,000Hz.

Wide Band Damping Factor

Greater than 18

Input Impedance

- 47,000 ohms Unbalanced
- 20,000 ohms Balanced

Power Control Input

5-15VDC, less than 1mA

Power Control Output

- 12VDC, 25mA
- Output is 0.2 seconds from turn On.

Tube Compliment

- 4 - 12AX7A Input and Phase Inverter
- 4 - 12AT7 Voltage Amplifier and Driver
- 8 - KT88 Power Output

Power Requirements

Field AC Voltage conversion of the MC1502 is not possible. The MC1502 is factory configured for one of the following AC Voltages:

- 100V ~ 50/60Hz at 6.6 Amps
- 110V ~ 50/60Hz at 6.0 Amps
- 120V ~ 50/60Hz at 5.5 Amps
- 127V ~ 50/60Hz at 5.5 Amps
- 220V ~ 50/60Hz at 3.0 Amps
- 230V ~ 50/60Hz at 2.75 Amps
- 240V ~ 50/60Hz at 2.75 Amps
- Standby: Less than 0.3 watts

Note: Refer to the right side panel of the MC1502 for the correct voltage.

Overall Dimensions

- Width is 18 1/4 inches (46.4cm)
- Height is 10 1/4 inches (26cm)
- Depth is 21 inches (53.3cm) including connectors

Weight

118 pounds (53.5 kg) net, 135 pounds (61.2 kg) in shipping carton

Shipping Carton Dimensions

- Width is 26 1/2 inches (67.3cm)
- Height is 15 1/2 inches (39.4cm)
- Depth is 28 inches (71.1cm)

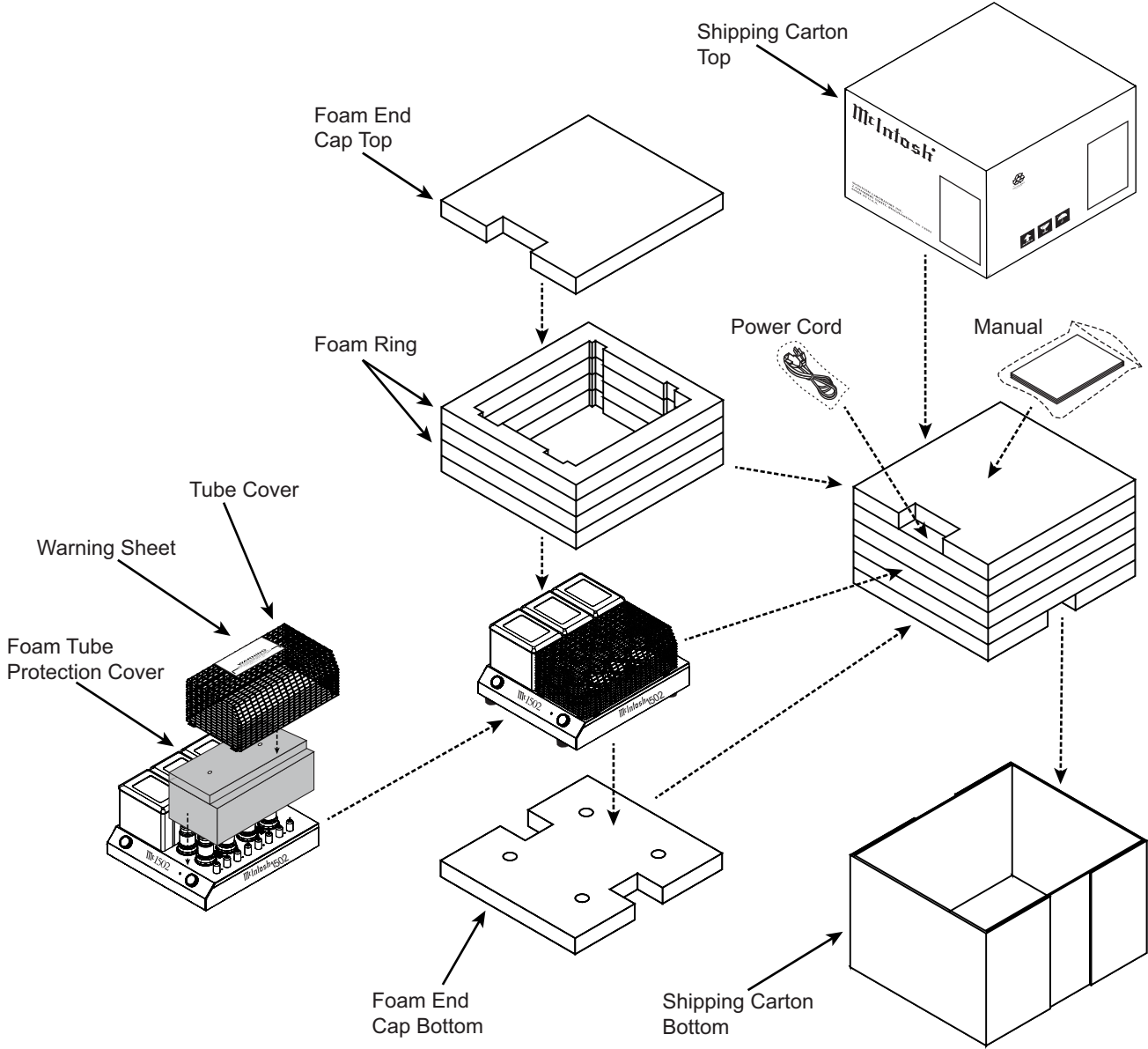
Packing Instructions

In the event it is necessary to repack the equipment for shipment, the equipment must be packed exactly as shown below. It is very important that the four feet are attached to the bottom of the equipment. This will ensure the proper equipment location on the bottom foam pad. Failure to do this will result in shipping damage.

To protect the tubes during shipment, the Foam Insert removed from the MC1502 needs to be re-inserted. Follow the unpacking instructions on pages 4-5 in the reverse order.

Use the original shipping carton and interior parts only if they are all in good serviceable condition. If a shipping carton or any of the interior part(s) are needed, please call or write Customer Service Department of McIntosh Laboratory, refer to page 2. Please see the Part List for the correct part numbers.

Quantity	Part Number	Description
1	034649	Shipping Carton Top
1	034652	Shipping Carton Bottom
1	034600	Foam Tube (for protecting the Tubes during shipping)
1	034650	Foam End Cap Top
1	034651	Foam End Cap Bottom
4	034653	Foam Ring
1	241109	Warning Sheet
4	400159	10-32 x 3/4 inch screw
4	017937	Feet
4	404080	#10 washer





McIntosh Laboratory, Inc.
2 Chambers Street
Binghamton, NY 13903
www.mcintoshlabs.com

The continuous improvement of its products is the policy of McIntosh Laboratory Incorporated who reserve the right to improve design without notice.
Printed in the U.S.A.