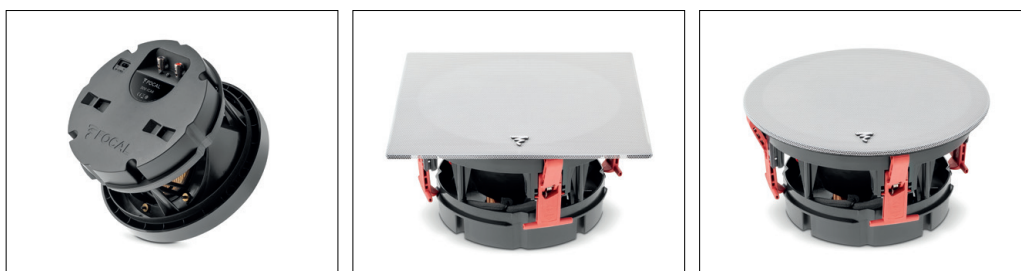
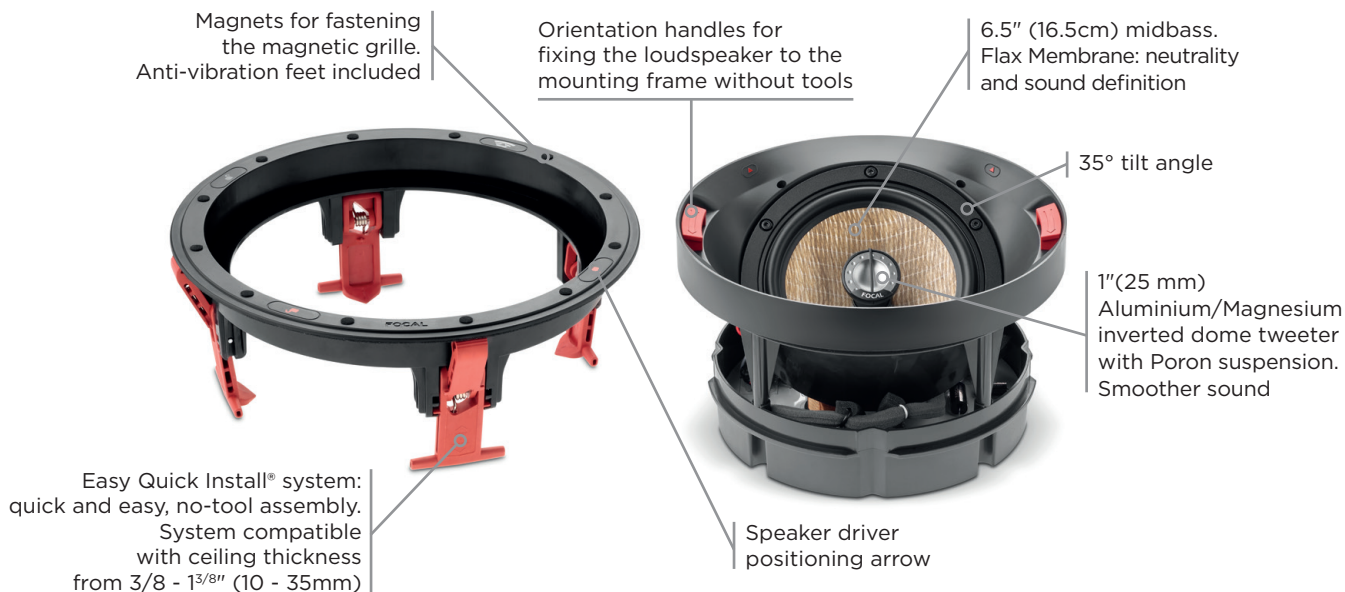


300 ICA6

Product sheet

MADE IN
FRANCE



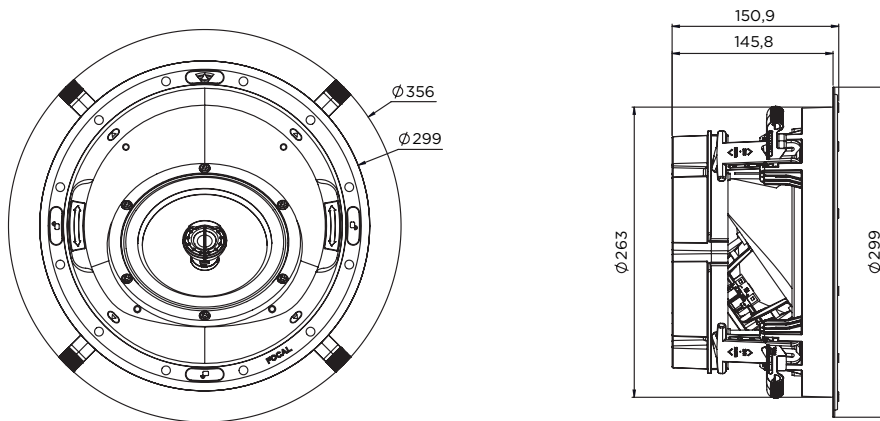
Key points

- In-ceiling coaxial 2-way loudspeaker
- Quick, easy, no-tool product assembly
- Speaker drivers developed and manufactured in France by Focal
- Delivered with square and circular grilles ready for painting
- Black and white felt ready to stick
- Off-axis response control (tweeter position and gain adjustment)
- Speaker driver angled at 35°

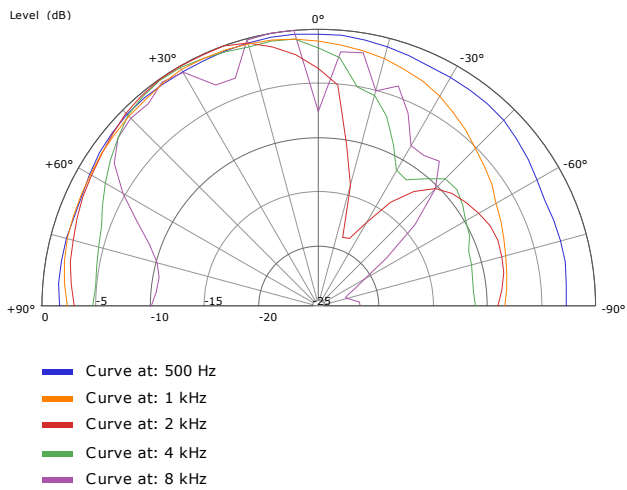
Technical specifications

Type of speaker	2-way in-ceiling
Speaker drivers	6 1/2" (16.5cm) Flax Mid-bass 1" (25mm) Aluminium/Magnesium inverted dome tweeter
Sensitivity (2.83V/1m)	89.5dB
Bandwidth (+/-3dB)	65Hz - 28kHz
Low-frequency cut-off (-6dB)	45Hz
Nominal impedance	8 Ω
Minimal impedance	4.8 Ω
Recommended amp power	25 - 130W
Size (Ø x depth)	11 3/4 x 5" (299x127mm)
Mounting diameter (Ø)	10 3/8" (264mm)
Depth from wall	5 3/4" (146mm)
Ceiling thickness (min - max)	3/8 - 1 3/8" (10mm - 35mm)
Net weight (with grille)	6.6 lbs (3kg)
Box size (WxDxH)	14 3/4 x 14 3/4 x 13 3/8" (375x375x340mm)
Total weight (with packaging)	11.7 lbs (5.3kg)

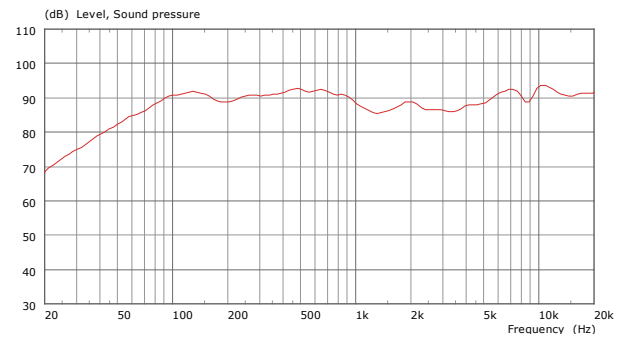
Dimensions



Directionality measurements



Frequency response



300 ICA6 Levels calculation table

Power/Distance	1m	2m	5m
1W (2.83V)	89.5dB	84dB	75dB
5W (8.94V)	98dB	92dB	83dB
10W (12.6V)	100dB	94dB	86dB
20W (15.5V)	103dB	97dB	88dB

Summary	125Hz	250Hz	500Hz	1kHz	2kHz	4kHz	8kHz
NPA (2.83V/1m)(dB)	91	90	90	89	88	88	88
Aperture angle at -6dB	180°	180°	180°	180°	180°	130°	100°